

# RecOlight containers

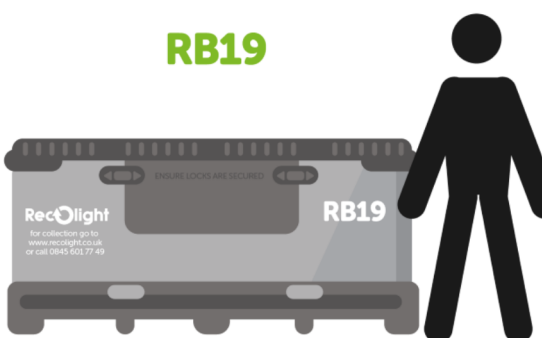
Containers for storage of waste lamps, light fittings, batteries, and other electrical waste

- ✓ Lamps and batteries must be removed from light fittings
- ✓ Lamps cannot be stored with any other type of waste
- ✓ All packaging must be removed

## For storage advice

refer to Recolight website  
LINK

[Recolight.co.uk/business-info/managing\\_your\\_site](http://Recolight.co.uk/business-info/managing_your_site)




**RB19**

Dimensions	Capacity
length 1900mm	up to 1000 6' tubes net weight 200kg gross weight 250kg
width 1200mm	
height 1000mm	
Material	Storage
<b>Base &amp; lid</b> high density polyethylene	For all types of LED & fluorescent lamps, Compact & tubes. Remove all sleeves
<b>Sleeve &amp; return collar</b> polypropylene	

- ✓ Delivered flat packed
- ✓ Must be stored on a non-permeable surface and lid secured.
- ✓ Front drop flap for easier user access to the container and to minimise lamp breakage.
- ✓ Return collar above the base to increase rigidity of the container, ease transport, collection, and stacking.
- ✓ Removable tray to ensure encapsulation of the waste and provide secondary bunding.
- ✓ Tray must be fitted on set up and not removed.
- ✓ Signage on the outside detailing what the container is for and safety information.



LINKS > [RB19 assembly instructions](#) > [guidance for use of RB19](#)

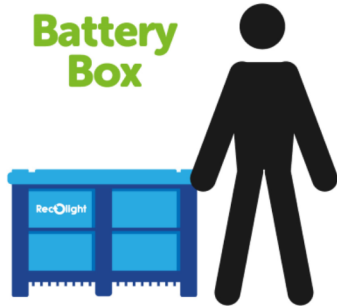


**RPB**

Dimensions	Storage
length 1200mm	For the storage of either <ul style="list-style-type: none"> <li>waste lamps</li> <li>electrical items</li> </ul>
width 1000mm	
height 900mm	
Capacity	DO NOT MIX these 2 waste streams  Remove batteries & packaging from lamps & light fittings
Up to 1000 4ft tubes	
Material - Polypropylene	

Colour of container may vary, dimensions and material remain the same

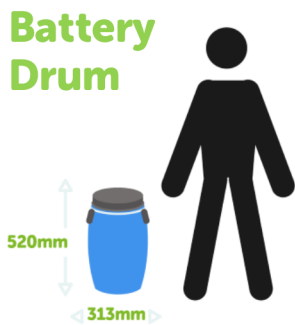
<p><b>RC6</b></p> 	<p><b>Dimensions</b> L 1830mm W 250mm H 250mm</p> <p><b>Capacity</b> Both hold up to 100 tubes</p> <p><b>Material - Corex</b></p> <p><b>Storage</b> For LED &amp; fluorescent tubes or compact lamps</p>
<p><b>RC8</b></p> 	<p><b>Dimensions</b> L 2400mm W 250mm H 250mm</p> <p>Designed for transporting lamps between sites &amp; collection of small volumes of lamps as part of the RecOlight <b>extra+</b> service</p> <p>Must be stored indoors All packaging removed</p>



## Battery Box

<b>Dimensions</b>
length 1200mm
width 1000mm
height 740mm
<b>Capacity - 605 litres</b>
<b>Material</b>
High Density Polyethylene

<b>Storage</b>
For mixed batteries NO lithium
Secure lid to keep batteries dry



## Battery Drum

<b>Dimensions</b>
height 520mm
Diameter 249mm at neck
<b>Capacity - 30 litres</b>
<b>Material</b>
High Density Polyethylene Metal lever locking ring

<b>Storage</b>
For mixed portable batteries
UN approved for lithium 1H2/X61/S

[LINK > guidance for handling & storing waste batteries](#)

## Skips for luminaires

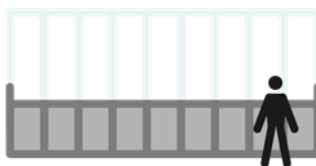
- Supplied as either hook and lift or roll on/roll off – dependent on access to your site.
- Skips are used for large relamp projects for Recolight Producer Members and their customers.
- All lamps and batteries must be removed from the fitting and placed in the appropriate container.

### 12 Yard



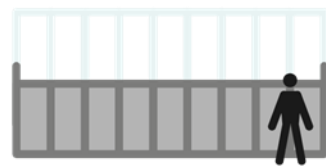
**9.18m<sup>3</sup> capacity**  
W 1700mm  
H 1830mm  
L 4060mm

### 20 Yard



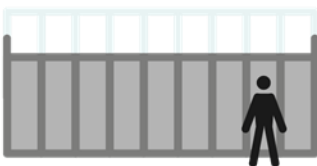
**18.3m<sup>3</sup> capacity**  
W 1250mm  
H 1250mm  
L 6100mm

### 25 Yard



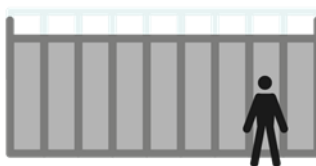
**19.11m<sup>3</sup> capacity**  
W 2250mm  
H 1770mm  
L 6100mm

### 30 Yard



**22.9m<sup>3</sup> capacity**  
W 2250mm  
H 2080mm  
L 6100mm

### 35 Yard



**26.8m<sup>3</sup> capacity**  
W 2250mm  
H 2390mm  
L 6100mm

### 40 Yard



**30.6m<sup>3</sup> capacity**  
W 2250mm  
H 2690mm  
L 6100mm