

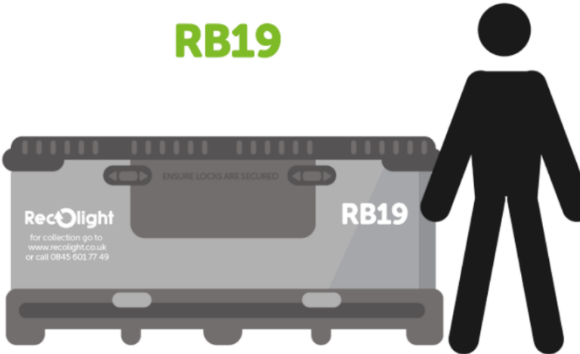
ReCOLight Containers

Containers designed for storage of waste lamps, light fittings or electrical waste

- Lamps and batteries must be removed from light fittings
- Lamps cannot be stored with any other type of waste
- All packaging must be removed

For information on storage refer to the Recolight website
LINK > www.recolight.co.uk/collections/managing_your_site

RB19



Dimensions
length 1.9m
width 1.2m
height 1.0m

Storage
For all types of LED & fluorescent lamps, Compact & tubes. Remove all sleeves

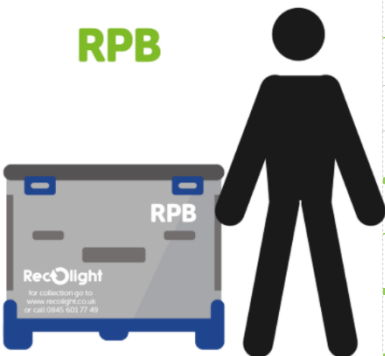
Capacity
up to 1000 6' tubes net weight 200kg

Material - Polypropylene

STORAGE ADVICE
Got to www.recolight.co.uk > business > managing your site

- ✓ Delivered flat packed
- ✓ Must be stored on a non-permeable surface and lid secured.
- ✓ Front drop flap for easier user access to the container and to minimise lamp breakage.
- ✓ Return collar above the base to increase rigidity of the container, ease transport, collection, and stacking.
- ✓ Removable tray to ensure encapsulation of the waste and provide secondary bunding. Tray must be fitted on set up and not removed.
- ✓ Signage on the outside detailing what the container is for and safety information.

RPB



Dimensions
length 1.2m
width 1.0m
height 0.9m


Storage
For the storage of either <ul style="list-style-type: none"> waste lamps luminaires electrical items The waste must not be mixed. Remove batteries & lamp sleeves.

Capacity
Up to 1000 4ft tubes

Material - Polypropylene

STORAGE ADVICE
Got to www.recolight.co.uk > business > managing your site

RC6




Dimensions
L 1830mm W 250mm H 250mm

Capacity
Both hold up to 100 tubes

Material - Correx

Storage
For tubes or compact lamps. Designed for transporting lamps between sites. Must be stored indoors. All packaging removed.

RC8



Dimensions
L 2400mm W 250mm H 250mm

STORAGE ADVICE
Go To www.recolight.co.uk

Battery Drum

Dimensions	Storage
height 0.52m	For non-portable batteries.
width 0.31m	HANDLING & STORAGE ADVICE
Capacity - 30 litres	Got to
Material - High Density Polyethylene with metal lever locking ring	Recolight.co.uk
UN approved - 1H2/X61/S	> business
	> managing your site

Skips for luminaires

Supplied as either hook and lift or roll on/roll off – dependent on access to your site.
 Skips are used for large relamp projects for Recolight Producer Members and their customers.
 All batteries must be removed from the fitting and placed in battery drum.

<h3 style="color: green;">12 Yard</h3> <p>9.18m³ capacity W 1700mm H 1830mm L 4060mm</p>	<h3 style="color: green;">20 Yard</h3> <p>18.3m³ capacity W 1250mm H 1250mm L 6100mm</p>	<h3 style="color: green;">25 Yard</h3> <p>19.11m³ capacity W 2250mm H 1770mm L 6100mm</p>
<h3 style="color: green;">30 Yard</h3> <p>22.9m³ capacity W 2250mm H 2080mm L 6100mm</p>	<h3 style="color: green;">35 Yard</h3> <p>26.8m³ capacity W 2250mm H 2390mm L 6100mm</p>	<h3 style="color: green;">40 Yard</h3> <p>30.6m³ capacity W 2250mm H 2690mm L 6100mm</p>